



Brüel & Kjær Vibro

A member of the NSK Group

B&K
vibro

Product Specifications

AS-667

Acceleration sensor



Retain for subsequent use



Features

Robust design
M12 plug
Constant current supplied
General purpose



Application

The accelerometer AS-667 is ideally suitable for general measurements on rotating machinery. It covers a broad application range like monitoring of turbines, fans, pumps, generators, etc.

Product description

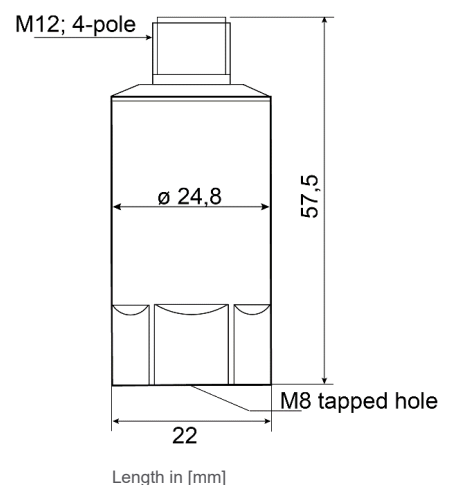
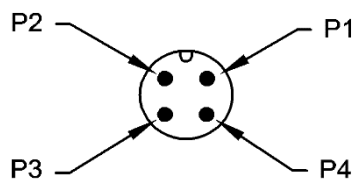
Scope of delivery:

- Sensor AS-667
- 1 x Threaded bolt M8x1.25 to M8x1.25
- 1 x Threaded bolt M8x1.25 to 1/4" – 28 UNF
- Documentation

Connection

Plug connection (M12 male)

Pin 1: SIG
Pin 2: 0V / GND
Pin 3: not connected
Pin 4: not connected



Technical Data

The following performance data apply, to the extent that nothing else is indicated, under standard conditions (Ambient temperature = 25 °C, Constant current = 4 mA).

Dynamic

Sensitivity, nom. (at 80 Hz):	100 mV/g ±10 %
Frequency response:	0.5 Hz ... 13 kHz: ±3 dB 1.5 Hz ... 10 kHz: ±10 %
Measurement range:	60 g Peak
Resonance frequency:	typically 30 kHz
Amplitude linearity:	< 1 %
Cross sensitivity:	typically 5 %

Electric

Maximum output voltage:	27 V
Constant current supply (secure against reverse polarity):	2 mA ... 10 mA (24 V nom.)
Output resistance:	100 Ω
Bias voltage, typically:	12.9 VDC
Across entire temperature range:	12.4 VDC ... 13.4 VDC
Grounding:	housing isolated against sensor electronic

Surroundings

Operating temperature range:	-55 °C ... +125 °C
Operating temperature with connection cable AC-14xx:	-30 °C ... +90 °C
Storage temperature range in original packaging:	-20 °C ... +70 °C
Overload capacity:	constant, sinusoidal: 500 g shock: 5,000 g
Housing design:	hermetically sealed stainless steel housing
Degree of protection acc. EN 60529:	IP66, IP68 (2 h at 5 bar) (incl. Nema 6)

Physical values

Measurement principle:	piezoelectric principle, compression type
Weight:	120 g
Housing material:	stainless steel 1.4404
Mounting screw:	M8x1.25 tapped hole
Mounting torque:	3.5 Nm, width across flats: 22 mm
Connection:	M12 plug, male, 4-pole

Order code

AS-667

Accessories

AC-1411:	double-wired connection cable with straight plug (M12)
AC-1412:	double-wired connection cable with angled plug (M12)
AC-3360:	threaded bolt, 1/4" – 28 UNF to M8x1.25
AC-3362:	threaded bolt, M8x1.25 to M8x1.25

Kontakta oss

Beving Elektronik AB
Skomaskinsgatan 14H
702 27 Örebro

Phone: 08 - 680 11 99
e-mail: info@beving.se

Subject to technical changes